

# CENTRIFUGAL BLOWERS™

## JET SERIES

**Jet Series centrifugal blowers are ideal for air knife drying, vacuum, cooling, & exhaust applications.**

JetAir's blowers feature belt-free DirectDrive™ technology. They are enabled by a high-speed motor and an aerodynamically designed impeller. DirectDrive™ enhances reliability and boosts performance by eliminating belts, tensioning devices, and complex spindle assemblies. Jet Series blowers are engineered for moderate flow and pressure applications from 10HP to 40HP [7.5-30kW]. Their compact design enables them to fit into the widest range of OEM equipment.

### MEET THE FAMILY

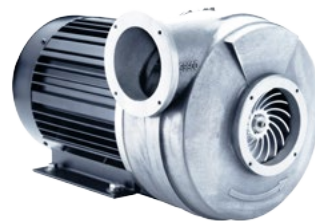
**JET-2G™**



**JET-1™**



**JET-5™**



**JET-3™**



**JET-1™**



**JET-2G™**



**JET-3™**



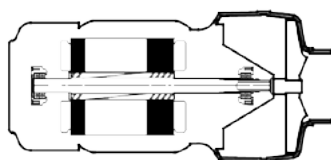
**JET-5™**



POWER	5-10HP [3.7-7.5kW] <b>Flow:</b> 760cfm [1280M3Hr] <b>Pressure:</b> 65"WG [160mBar] <b>Vacuum:</b> 58"WG [145mBar]	10-20HP [7.5-15kW] <b>Flow:</b> 1350cfm [2300M3Hr] <b>Pressure:</b> 95"WG [240mBar] <b>Vacuum:</b> 85"WG [210mBar]	10-20HP [7.5-15kW] <b>Flow:</b> 1200cfm [2040M3Hr] <b>Pressure:</b> 110" WG [275mBar] <b>Vacuum:</b> 96" WG [240mBar]	30-40HP [22-30kW] <b>Flow:</b> 2200cfm [3738M3Hr] <b>Pressure:</b> 140" WG [350mBar] <b>Vacuum:</b> 120" WG [300mBar]
	DIM.	11.34"[288]W 17.60"[447]L 9.91"[251.6]H	13.70"[348]W 18.32"[465]L 12.84"[326]H	13.70"[348]W 12.10"[485]L 12.27"[311]H
MOTOR	TEFC, IP54, External Junction Box 3-Phase, 190-220, 390-480VAC, 50/60Hz, Thermistor, 105°F [40°C] Ambient	TEFC, IP54, External Junction Box 3-Phase, 190-220, 390-480VAC, 50/60Hz, Thermistor, 105°F [40°C] Ambient	TEFC, IP54, External Junction Box 3-Phase, 190-220, 390-480VAC, 50/60Hz, Thermistor, 105°F [40°C] Ambient	TEFC, IP54, External Junction Box 3-Phase, 190-220, 390-480VAC, 50/60Hz, Thermistor, 105°F [40°C] Ambient
CXN	<b>Inlet:</b> 4"Ø [102mm] <b>Outlet:</b> 4"Ø [102mm] 360° Rotation	<b>Inlet:</b> 5"Ø [126mm] <b>Outlet:</b> 4"Ø [102mm] 360° Rotation	<b>Inlet:</b> 5"Ø [126mm] <b>Outlet:</b> 4"Ø [102mm] 360° Rotation	<b>Inlet:</b> 5"Ø [126mm] <b>Outlet:</b> 4"Ø [102mm] 360° Rotation
WT.	67 lbs. [31 kg]	79 lbs. [36 kg]	79 lbs. [36 kg]	180 lbs. [82 kg]

DIRECTDRIVE

DIRECTDRIVE SIDE VIEW



**Jet Series Advantages:**

- More reliability
- More efficiency
- More compact
- Lower maintenance costs
- Lower electrical consumption
- Overnight delivery
- Single stage centrifugal compressor
- Oil-less, spindle free design

**Blower Highlights**



RELIABLE



SMART



EFFICIENT



WELL DESIGNED

**Jet Series blowers include:**

- Built-in motor protection
- Ultra-precise balancing
- Air cooled
- Fewer parts
- Long service life
- Low maintenance costs
- No belts
- Warranty

**Variable Frequency Drive (VFD) control enables:**

- Precise airflow settings
- Lower utility expenses
- PLC connectivity
- Motor protection
- Nonspiking soft-starts

**Jet Series blowers offer:**

- 1 year payback
- 85% savings over compressed air
- Belt-free reliability
- 10-12% more efficiency than other blowers
- The lowest delivery costs

**IMPELLER:**

- 5 axis C355 aluminium

**BLOWER:**

- A356-T6 aluminum with integrated lifting eye
- Wash-down cover available

**FOOTPRINT:**

- 10-40HP in less than 24"

**Blower Usage**

**BEVERAGE**



- Dry for labeling, coding, inspection, & secondary packaging
- Single file or mass flow
- Clean containers using ionized air before filling

**PHARMA**



- Dry pouches - gusseted, pillow, etc.
- Air rinse and/or dry containers with HEPA-filtered air
- Remove debris
- Dry IV bags

**POWDER**



- Dry powder blenders of any size
- Remove statically charged powder from container interiors and exteriors

**FOOD**



- Dry for labeling, coding, & secondary packaging
- Smooth & cure coatings
- Remove loose product
- Remove excess water
- Dry conveyors
- Move product

**INDUSTRIAL**



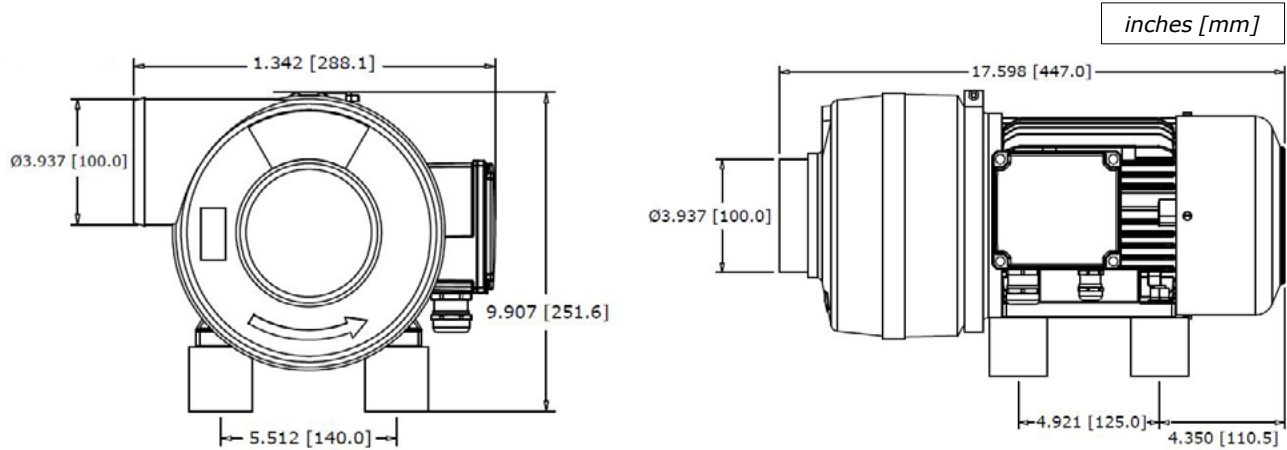
- Machine tool coolant removal
- Dry sheets, crates, & wire
- Dry large applications
- Debris, bead blast, & casting sand removal
- Dry before coding
- Edge curing
- Cooling

**MORE**

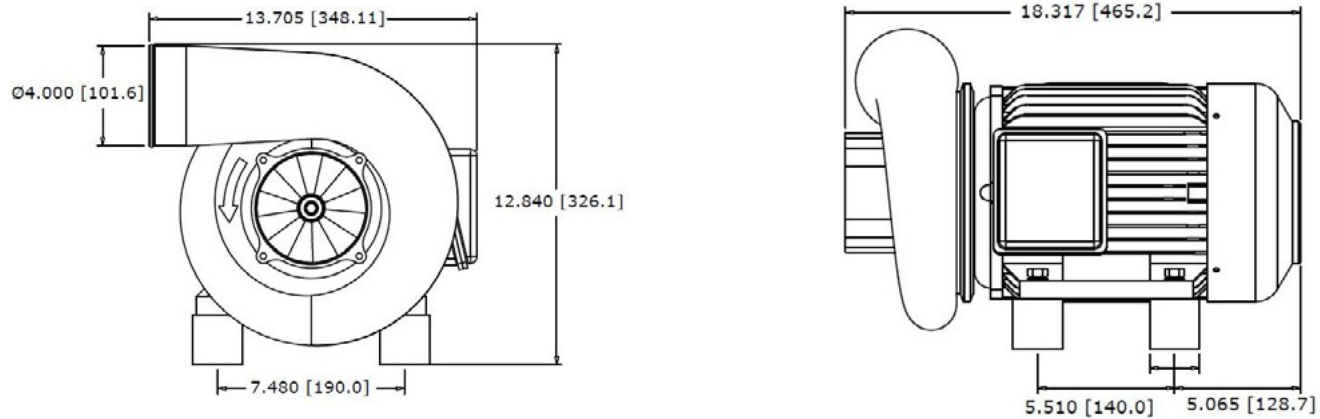


- Automotive: Battery process drying, pre-paint ionized air rinse, parts blow-off
- Textile: Vacuum cutting tables
- Customized Solutions: Engineered-to-order systems for drying and air rinsing applications

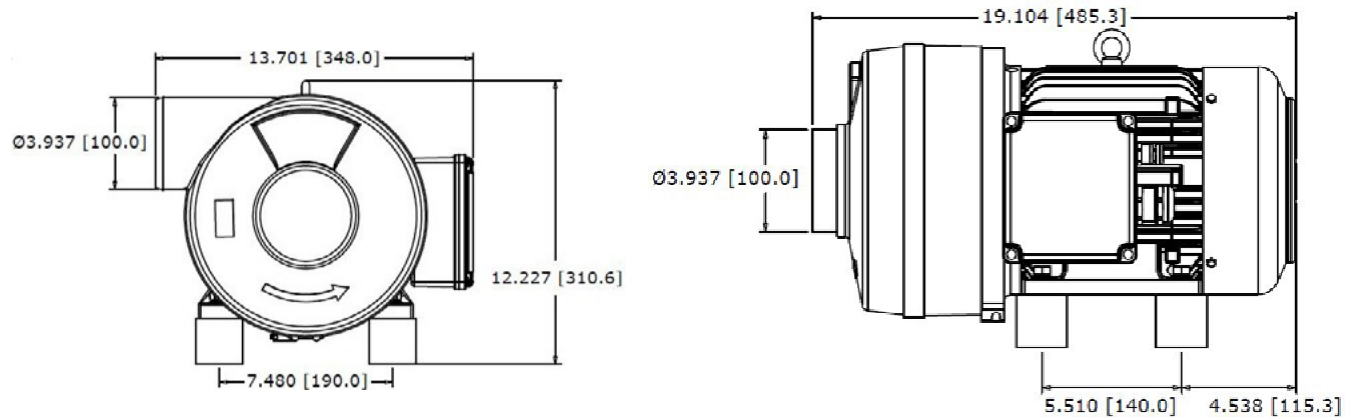
JET-1™



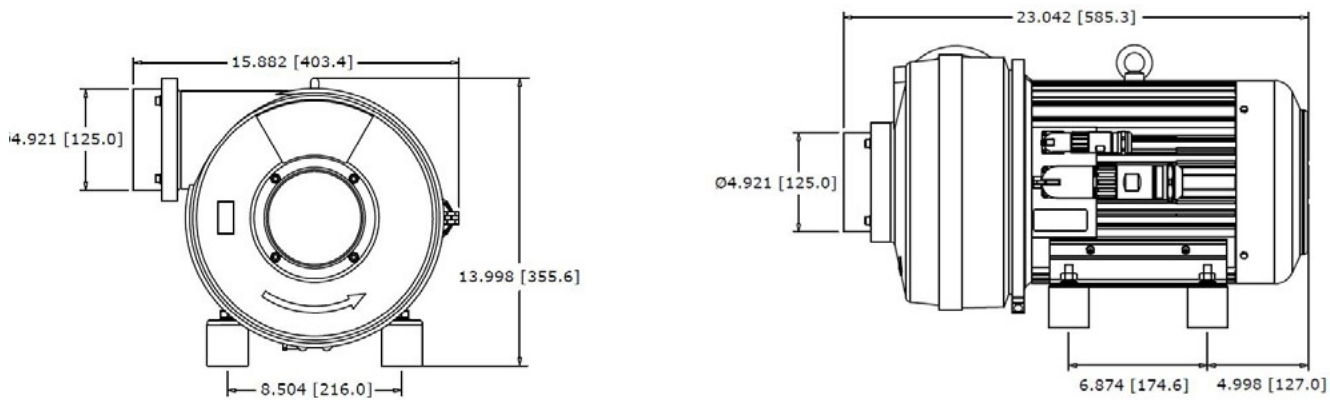
JET-2G™



JET-3™



JET-5™



**Blower Curves**

Variable frequency drive allows blowers to run at different speeds as shown below.

