

RINSEDRY™

INTEGRATED SYSTEM

The RinseDry™ is the ideal container cleaning and drying solution for the consumer packaged goods market.

Custom-sized water nozzles housed in a compact system clean containers of overfill and debris. The RinseDry™ then feeds into an integrated JetTunnel™ dryer designed to achieve superior dryness prior to labeling, inspection, coding, sleeving, secondary packaging, and more. JetTunnels™ are powered by JetAir high-speed centrifugal blowers, which deliver clean, oil-free, filtered air to remove unwanted moisture. RinseDry™ systems are custom designed to handle the widest range of containers and line speeds. They easily integrate into existing packaging lines and all plant control networks.



RinseDry™ Features

SYSTEM HIGHLIGHTS

- High speed, energy efficient DirectDrive™ blower housed in dryer's integrated wash-down chamber
 - Blower is optimized for higher kW efficiency & reduced footprint
 - Blower is belt- and tensioner-free
- Customized to line speed and container sizes & geometries
- Application-specific water nozzles and air components
- Water pressures and flows fitted to container specifications and application
- Coalescing inlet air filter (HEPA available)
- JetSet™ mounts for fast and repeatable changeovers
- Custom guide rails included

CONTROLS

- Allen-Bradley Variable Frequency Drive standard (all VFD brands available)
- LOTO line power fused disconnect
- Operator-friendly interface & system status indicators
- UL508, cUL, CE standards
 - CAT 3-4/PLd-e available
- OMAC PackML compliant
- Electrical Panel NEMA4/IP66

MAINTENANCE

- Dryer interior designed for water collection & removal
- Washdown Stainless Steel 304
 - SS316 & CPVC solutions available
- Double-walled dryer construction for low noise
 - Sound attenuation
- Removable, sloped dryer drip pan for water capture & fast cleaning
- Lift-off panels for easy maintenance
- Heavy-duty dryer door with large vision window for conveyor & air component access
- Stainless steel threaded levelers for 5" vertical adjustment on dryer
- Integrated lifting eyes for easy installation
- Minimal spare parts

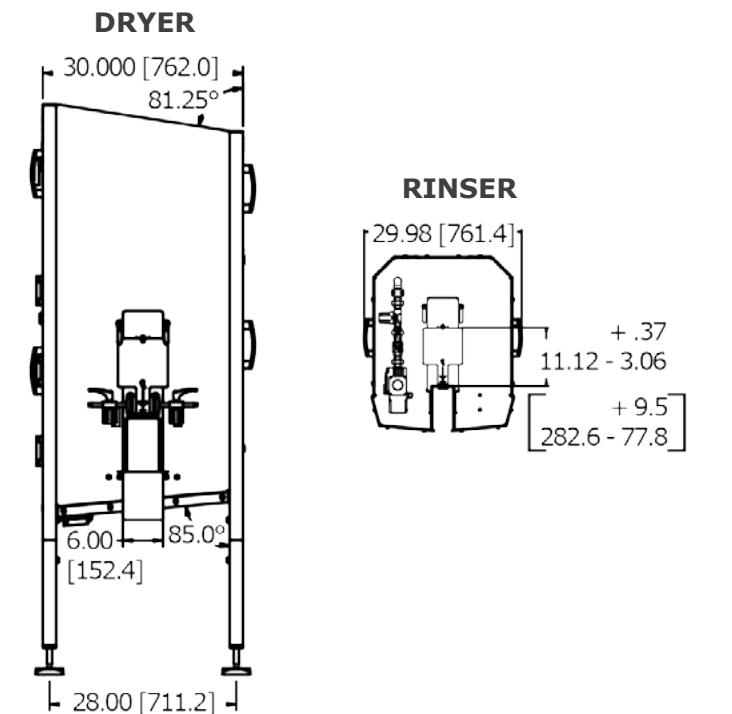
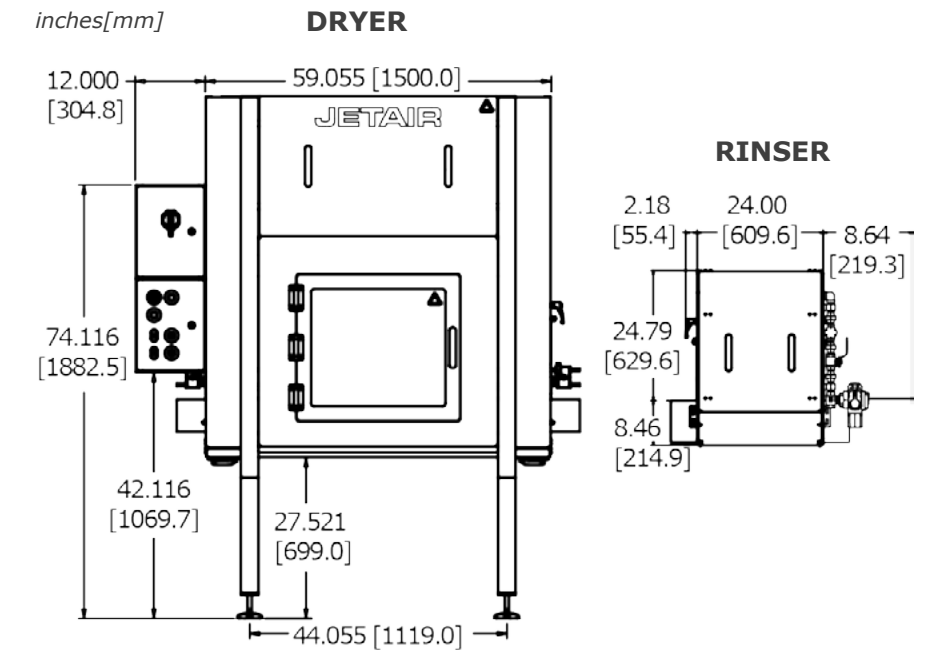


Optional Features

- Post-pasteurizer drying
- Clean In Place (CIP)
- Network integration
 - Ethernet, Profibus, DeviceNet
- Integrated transport conveyor
- Drain pan
- JetSet™ automatic multi-point adjustment changeover
- Container hold-down
- Door interlocks
- Emergency glass shard protection
- Product detection sensor

RinseDry™ Dimensions

inches[mm]



Safety Certifications Available:

